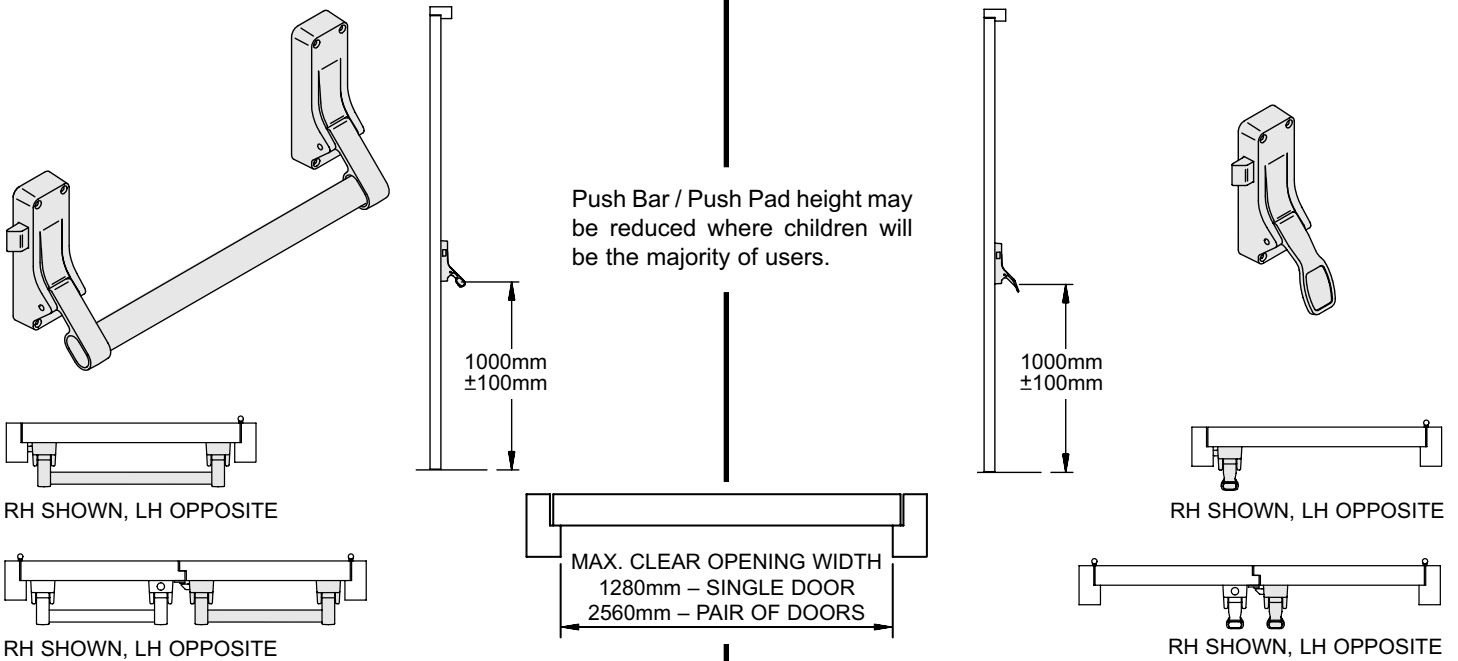


INSTALLATION INSTRUCTIONS

0378/328/00
ISSUE 04

PUSH BAR PANIC LATCH DEVICE TO EN 1125

EMERGENCY PUSH PAD LATCH DEVICE TO EN 179



TO COMPLY WITH THE ABOVE STANDARDS, DOOR LEAF MUST NOT EXCEED 2500mm HIGH X 1300mm WIDE X 200KG WEIGHT MAX.

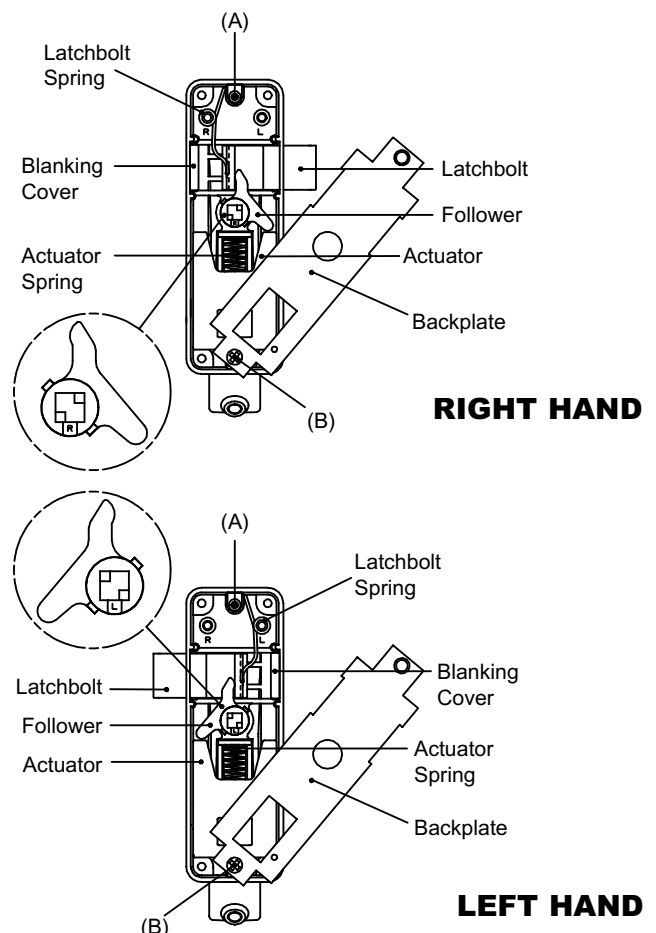
IMPORTANT: THE SAFETY FEATURES OF THESE PRODUCTS ARE ESSENTIAL TO THEIR COMPLIANCE WITH THE ABOVE STANDARDS. NO MODIFICATIONS OF ANY KIND, OTHER THAN THOSE DESCRIBED IN THESE INSTRUCTIONS ARE PERMITTED.

BEFORE INSTALLATION ENSURE DOOR AND FRAME ARE IN GOOD CONDITION, CORRECTLY HUNG AND NOT DISTORTED.

THESE DEVICES ARE SUPPLIED TO SUIT EITHER RIGHT OR LEFT HAND DOORS AS SPECIFIED, BUT MAY BE REVERSED IF REQUIRED.

TO REVERSE HANDING PROCEED AS FOLLOWS:

- 1) Remove Backplate screw (A).
- 2) Slacken Backplate screw (B) (2 turns approximately)
- 3) Lift and swing Backplate to position shown in diagram and gently re-tighten screw (B) (this retains Actuator and Spring whilst changing hand).
- 4) Lift out Follower.
- 5) Remove Blanking Cover.
- 6) Disengage Latchbolt Spring and remove from stud.
- 7) Withdraw and remove Latchbolt.
- 8) Replace Latchbolt in opposite side of Case.
- 9) Re-fit Latchbolt Spring over stud marked 'L' or 'R' with straight leg against Case. Deflect curved leg to engage groove at rear of Latchbolt.
- 10) Insert Blanking Cover into aperture on opposite side, ensuring correct engagement of lower edge in Case.
- 11) Insert Follower into Case bearing so that 'L' or 'R' on hub is uppermost (see inset). Ensure that both legs are correctly engaged as shown in diagram.
- 12) Re-fit Backplate and operate to ensure correct action.



INSTALLATION

- 1) Fix Latch Box to door at required Push Bar/Push Pad height, and at a distance from frame or leading edge of second opening leaf of a rebated pair according to application.

See Diagram 1

NOTE: If installing an Outside Access Device mark and prepare door and fix as per separate instructions provided.

or

If installing Rim Key Cylinder see instructions overleaf.

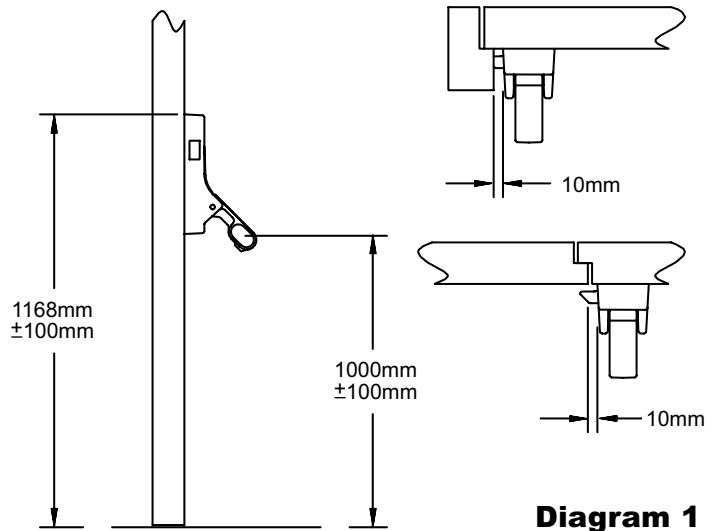


Diagram 1

- 2) Mark on frame position of Latchbolt and from this mark out profile of Striker Plate. Prepare and fix ensuring that Striker Plate is flush with face and edge of stop.

See Diagram 2

or

- 3) For doors with rebated stiles mark position of Latchbolt on to second opening leaf. Prepare and fix Double Door Striker ensuring that tongue is flush with edge of stile.

See Diagram 3

NOTE: Notch for tongue must be cut through full thickness of rebate.

- 4) Pull door into closed position ensuring that:
 - a) Latchbolt retracts smoothly across Striker and fully engages.
 - b) Depress Push Bar Lever or Push Pad to open door ensuring that Latchbolt retracts fully from Striker and permits opening without hindrance.

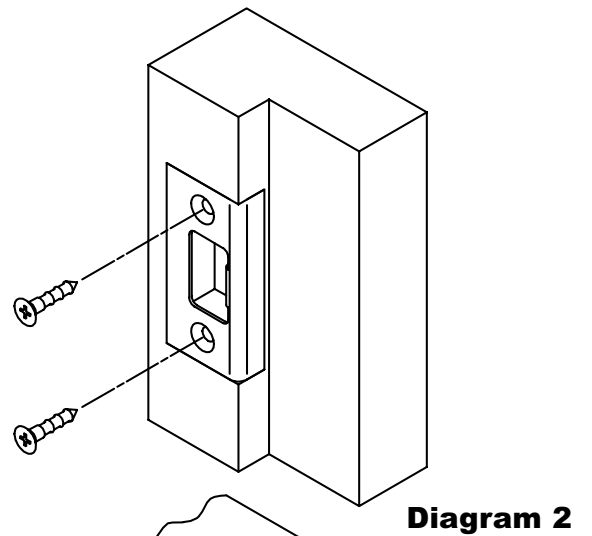


Diagram 2

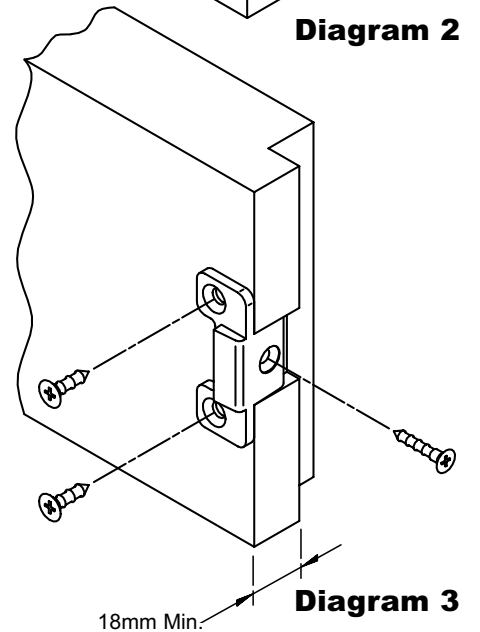


Diagram 3

INSTALLATION OF PUSH PAD DEVICE IS NOW COMPLETE. CONTINUE FOR PUSH BAR DEVICE.

- 5) Fit End Box on hanging stile of door ensuring that it is vertical and level with Latch Box.

See Diagram 4

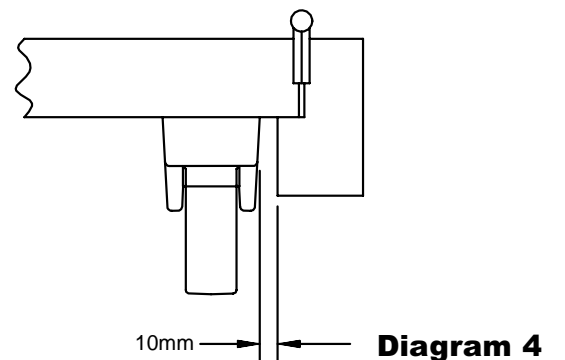


Diagram 4

- 6) Accurately measure distance 'C' across Push Bar Levers, deduct the amount shown, and cut Push Bar to length.

See Diagram 5

- 7) Insert Push Bar into Levers, insert Plug into each end of Push Bar and flush with face of Levers. Secure Push Bar by tightening Clamp Screws on underside of Levers with Allen Key provided.

NOTE: These screws must be sufficiently tightened to give adequate rigidity of Push Bar.

See Diagram 6

- 8) Again test for correct operation as described in item 4.

- 9) Adhere green 'Push Bar to Open' sign immediately above the Push Bar.

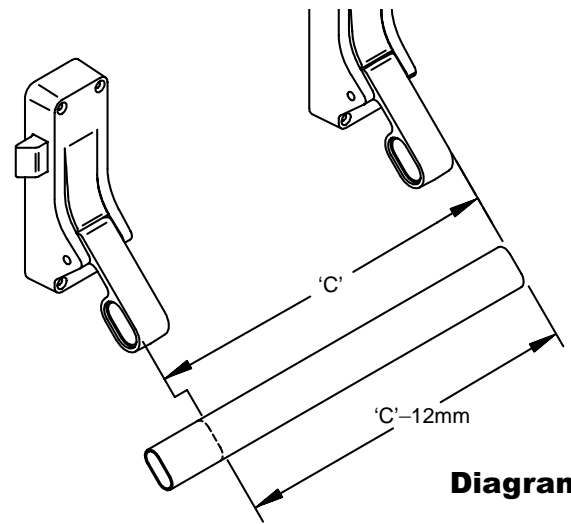


Diagram 5

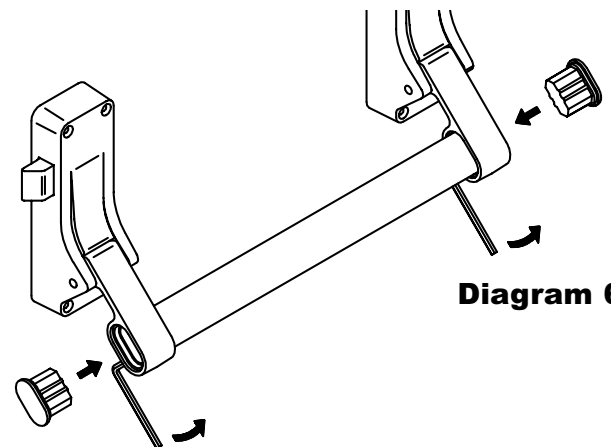


Diagram 6

OPERATIONAL INSTRUCTIONS

- For device arrangements fitted to comply with EN 1125 no instruction of operation is needed for the end users as the device is easily operated by hand or body pressure in a panic situation.
- For device arrangements fitted to comply with EN 179 it is recommended that the end users be instructed to operate the Push Pad devices using flat **palm** of the hand.

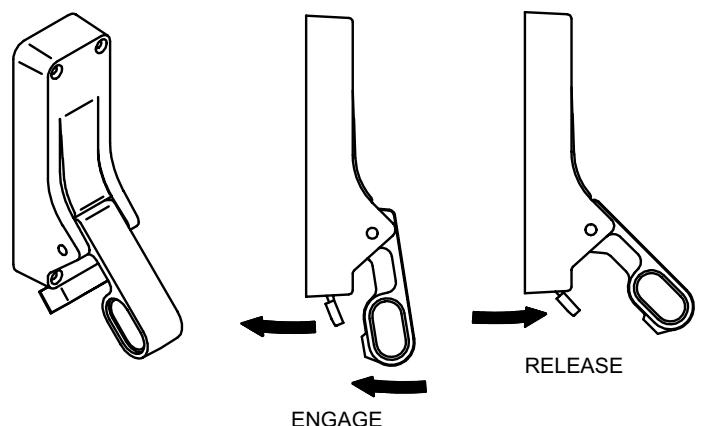
DOGGING DEVICE

Where provided, this device is incorporated in the End Box of Push Bar devices and enables the Latchbolt to be held in the withdrawn condition, allowing the door to be used as free-access when required. Installation is described in item 5.

To engage: depress Push Bar and push Dogging Lever towards door face.

To release: Pull Dogging Lever away from door face

WARNING: THIS DEVICE MUST NOT BE USED ON FIRE/SMOKE DOORS.



MAINTENANCE

It is recommended that the following routine inspections should be undertaken at intervals of not more than one month by the occupier or his approved representative.

- Inspect and operate the device to ensure that all components are in satisfactory working condition. Lubricate if required.
- Ensure that the keepers are clean and free from obstruction.
- Check that all fixing screws are tight.

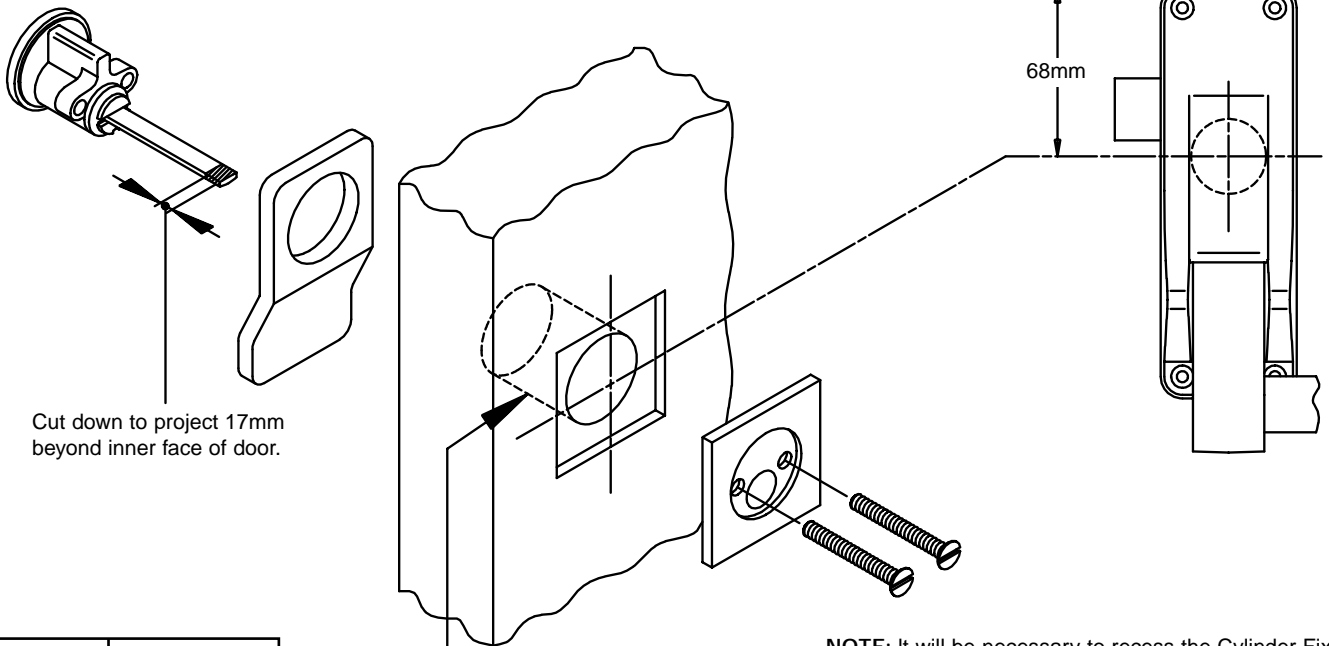
These instructions must be passed by the installer to the user on completion.

INSTALLATION INSTRUCTIONS FOR RIM KEY CYLINDER

THE FOLLOWING DETAIL APPLIES TO BOTH PUSH BAR AND PUSH PAD DEVICES SHOWN OVERLEAF, WHICH WILL ACCEPT THE FOLLOWING MAKES OF RIM CYLINDER: LEGGE No.6 - UNION IXI - YALE 1109 - TESA. FOR MAKES OF CYLINDER OTHER THAN SHOWN REFER TO SPECIFIC MANUFACTURER.

It is strongly recommended that a Finger Pull or Bow Handle be applied to prevent possible key damage.

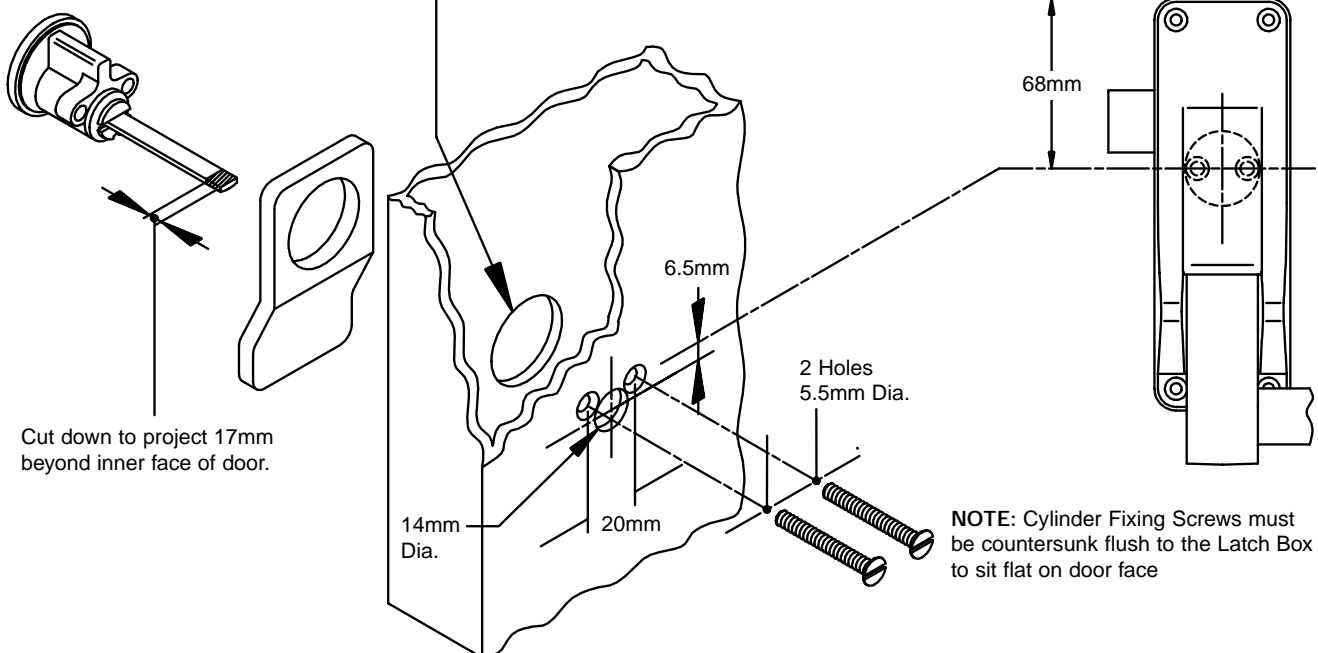
TIMBER DOORS



NOTE: It will be necessary to recess the Cylinder Fixing Plate into the door face to permit the Latch Box to sit flat on door face.

Make	Hole Dia.
Legge No.6 Union IXI Yale 1109	32mm
Tesa	30mm

METAL DOORS



NOTE: Cylinder Fixing Screws must be countersunk flush to the Latch Box to sit flat on door face

WARNING: CHECK AFTER INSTALLATION THAT DEVICE WILL OPERATE FROM INSIDE AT ALL TIMES